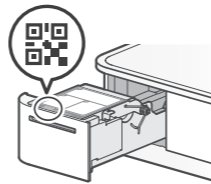


star mPOP Easy Setup Guide

Introduction

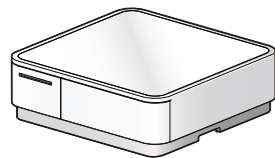
This document explains the setup procedure for the mPOP. For further instructions, please refer to the mPOP online manual. Please read the instructions before using the product.

mPOP online manual



Check the Supplied Accessories

If any of the package contents are missing or damaged, contact the dealer where the product was purchased.



POP10CI



Power Cable



Tablet Stand



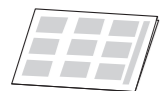
Paper Roll



Mounting Bracket with Tape
Two Screws



Mounting Template
(Cardboard Material)



Safety Instructions

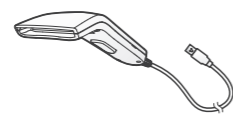


Easy Setup Guide



USB Cable

Only for models which include a barcode reader



Barcode Reader



Barcode Reader Stand



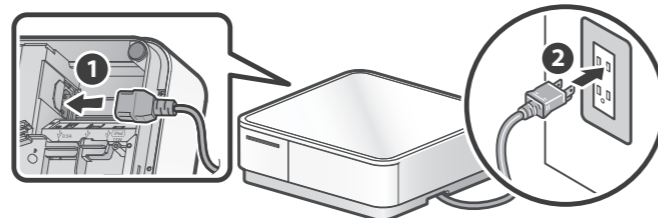
Double Sided Tape



Two Screws

1 Connecting the Power Cable

Connect the included power cable to the inlet on the back side of the product ①. Connect the plug of the power cable to the outlet ②.



2 Connecting the USB Cable

Connect your tablet / smartphone / PC to the USB connector.

1 USB-B Communication Windows, Android, Mac, Linux

You will need:

- USB cable included with the product
- USB conversion adapter (if necessary)

Plug for the mPOP:

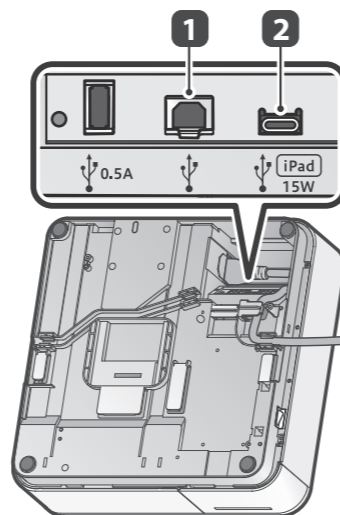


2 USB-C® Communication and Recharge iOS (iPad, iPhone)

You will need:

- USB cable (C-C¹ / C-Lightning²) sold commercially or one that comes with a tablet

Plug for the mPOP:

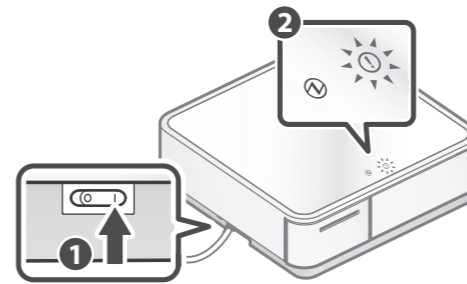


¹ Use a cable that complies with the USB 2.0 standard and supports 3.0A or higher. ² Please use MFi certified products.

① After connecting the USB cable, refer to the back side for wiring so that the product does not rattle.

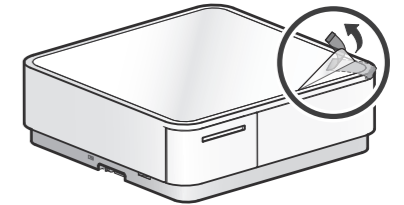
3 Turning on the Main Unit Power

Turn on the power on the side of the main unit ①. Check that the Power LED (blue) lights and the Error LED (red) blinks ②.



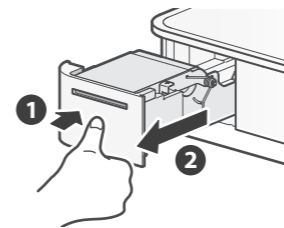
Before use

A transparent protective film is affixed to the top surface of mPOP. Remove the film before use.

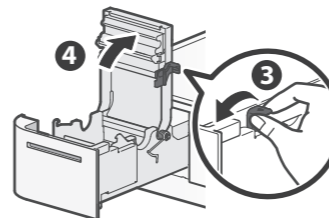


4 Inserting a Roll of Paper

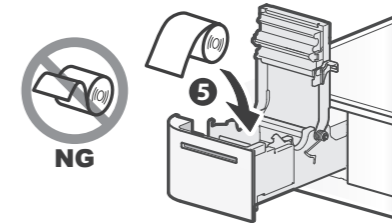
Press the front of the printer to disengage the lock ①, and then pull out the printer ②.



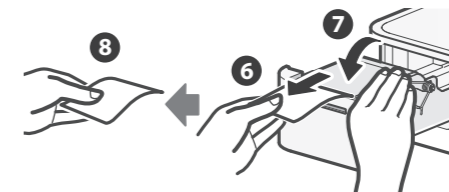
Pull the cover opening lever toward you ③, and then open the printer cover ④.



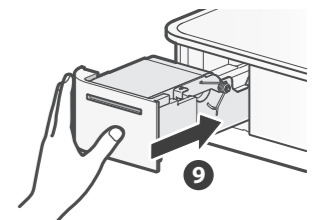
Insert a roll of paper in the direction shown in the illustration ⑤.



Pull the end of the paper out straight ⑥, and then close the printer cover ⑦. Remove the piece of paper that is cut automatically ⑧.



Press the printer back into place until a click is heard and the printer locks ⑨.



5 Preparing/setting up the configuration app

A driver is required when using it in a PC environment.

You can also use the settings app to change product and peripheral settings.

Scan the QR code on the right side or search the app to access the download site.

[Configuration app download site](#)



Windows

Star Windows Software

- ① Download [Star Windows Software].
- ② Extract the downloaded software and execute "Setup.exe".
- ③ Follow the wizard instructions and complete software installation.

④ The Windows driver is included in the Star Windows Software. The Star Windows Software can be used to configure the printer settings and perform an operation test.

⑤ Driver download site for Mac / Linux environment. (<https://www.star-m.jp/supportsite-wsw.html>)

iOS / Android

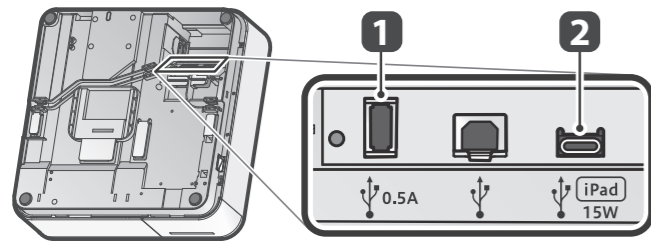
Star Quick Setup Utility

You can use the following functions by using Star Quick Setup Utility.

- Firmware update
- Memory switch change, logo registration
- Printing operation/peripheral device operation check

Connecting the peripheral devices

Connect the specified USB device, tablet / smartphone you want to charge, etc. to the USB connector of the product.



1 USB-A

Communication

Designated barcode reader, LCD Display

Recharge

Other peripheral devices

Plug for the mPOP:



2 USB-C

Recharge

Tablet or other peripheral device

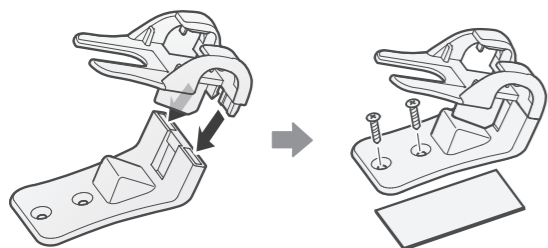
Plug for the mPOP:



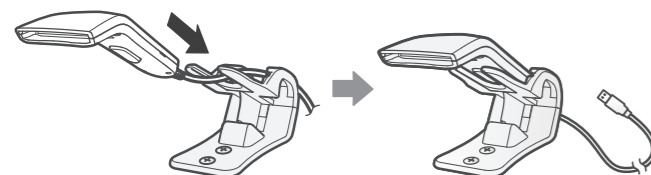
Installing the Barcode Reader

Models with Barcode Reader or as an Option

Connect the barcode reader cable to the main unit.
Assemble the barcode reader stand.
Use the double-sided tape or screws as necessary to fasten the stand in place.



Place the barcode reader into the barcode reader stand.

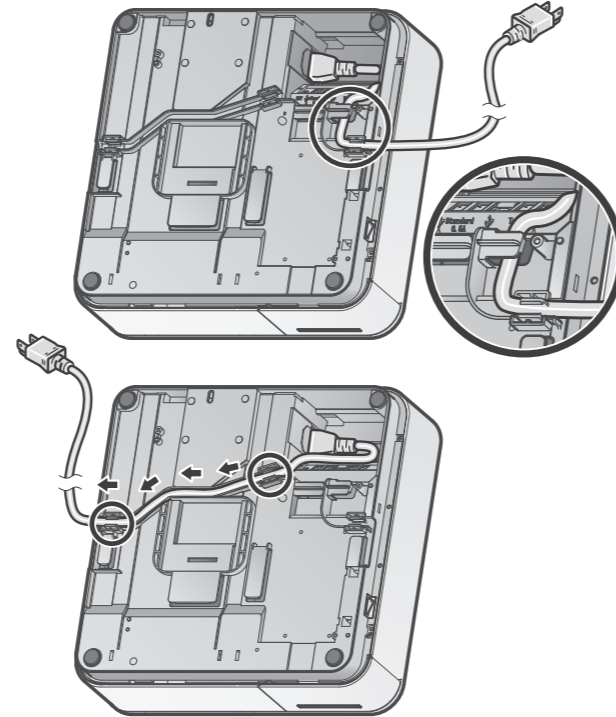


Wiring the Cables

Wire the cables as needed according to the location where the main unit is installed. Turn OFF the main unit power before connecting or disconnecting the cables.

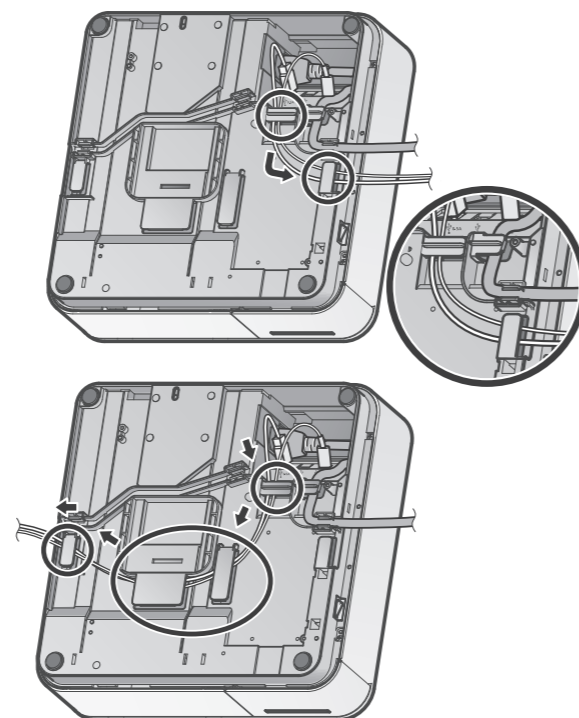
Power Cable

Route the power cable so that it passes under or between the power cable hooks.



USB Cable

Route the USB cable so that it passes under the USB cable hooks.



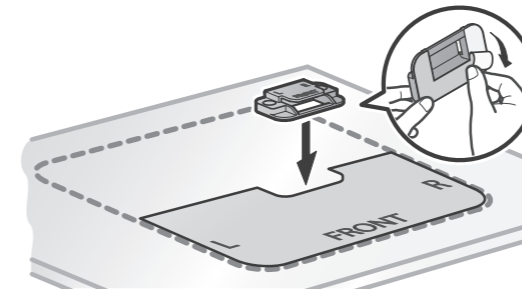
To ensure the main unit is not tilted when installed, beware that cables do not protrude from the hooks while the cables were routed.

Securing the Main Unit

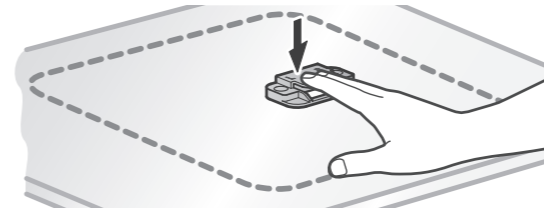
Secure the main unit in order to prevent it from tipping over.

Turn OFF the main unit power, then follow the procedure below.
Select a flat, level location to install the main unit.

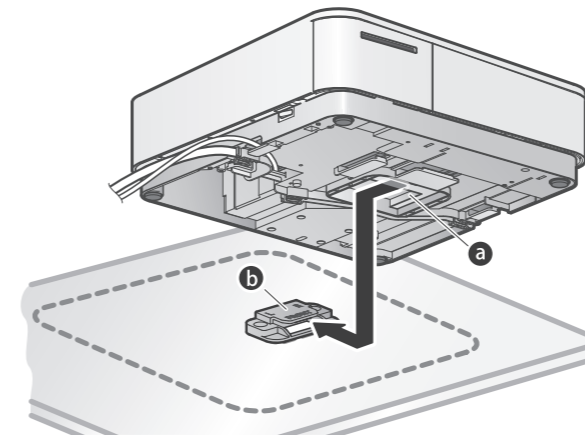
Place the mounting template so that the "FRONT" edge of the mounting template is aligned with the front of the installation position. Remove the liner from the tape on the bottom of the mounting bracket and adhere the mounting bracket in accordance with the mounting template. The tape has strong adhesion. Please carry out the adhering work carefully.



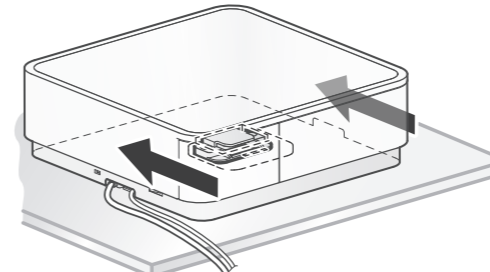
Press the mounting bracket firmly so that the tape is adhered to the surface securely. Remove the mounting template.



Check the position of the slot for mounting bracket **a** on the bottom of the main unit, and position the main unit so that the slot is in front of the mounting bracket hook **b**.



Slide the main unit so that the mounting bracket hook enters the slot to secure the main unit in place.

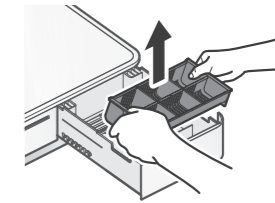


If you want to secure with screws, please refer to the online manual.

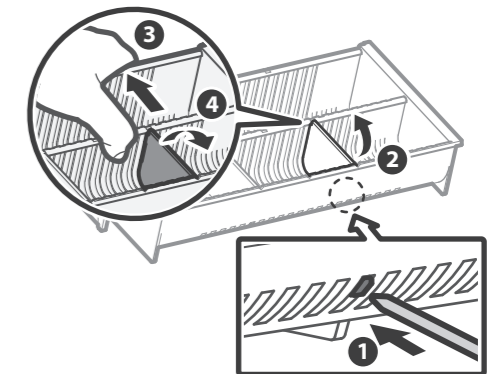
Adjusting the Coin Tray

Vertical Bill Type

Use your chosen application or other means to open the cash drawer, and then remove the coin tray.



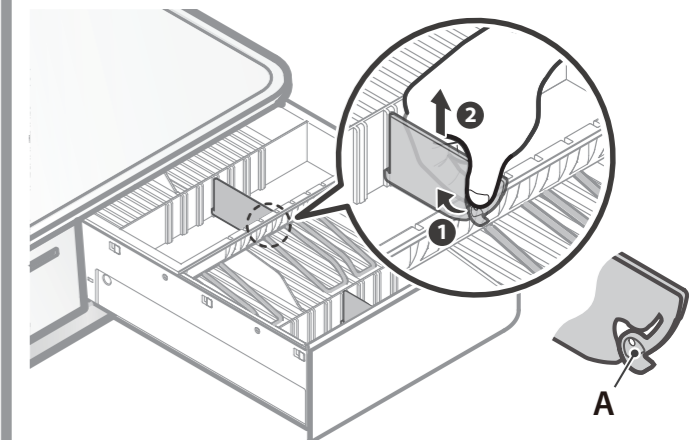
Press the hook part on the bottom of the divider with a narrow pointed tool to disengage the lock **1**, then lift up the divider **2**. Press the coin tray from the inside with your fingers to expand it **3**, and then remove the divider **4**.



Install the divider in the desired position.

Flat Bill Type (North, Central & South America Only)

Unlock the hook A on the divider **1** and lift it up **2**.



Install the divider in the desired position.